



Applications:

This specification covers the water proof type ultrasonic ceramic transducer which are used for ultrasonic ranging and parking sensor of automobile.

Features:

- Water proof and dual use
- Compact and light weight
- High sensitivity and sound pressure
- Less power consumption
- High reliability

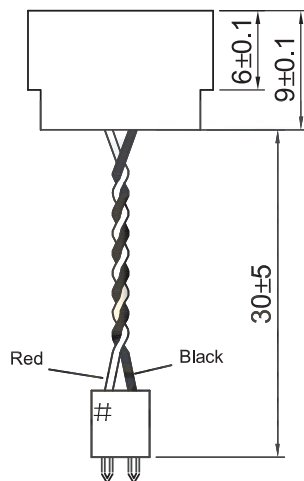
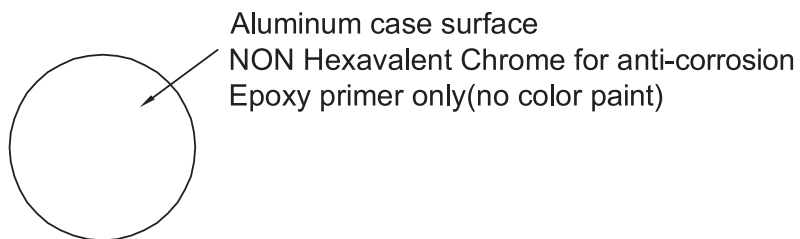
Technical Terms:

No	Item	Specification
1	Construction	Water Proof
2	Using Method	Dual Use
3	Centre Frequency	58 ± 1kKz
4	Sound Pressure Level (dB)	≥85 (30cm/10V rms)
5	Sensitivity (dB)	≥-90dB/V/μbar
6	Beam pattern	110 × 50°
7	Capacitance (pF)	2,000 ± 25% at1kHz
8	Operating Temperature Range	-40°C to 85°C
9	Storage Temperature Range	-40°C to 85°C
10	Allowable Input Voltage (Vp-p)	160Vp-p
11	Housing Material	Aluminium

Ultrasonic Sensor

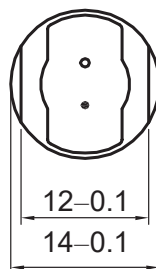


Drawing:



Lead wire
AWG30 Red,Black
connector pitch 2mm

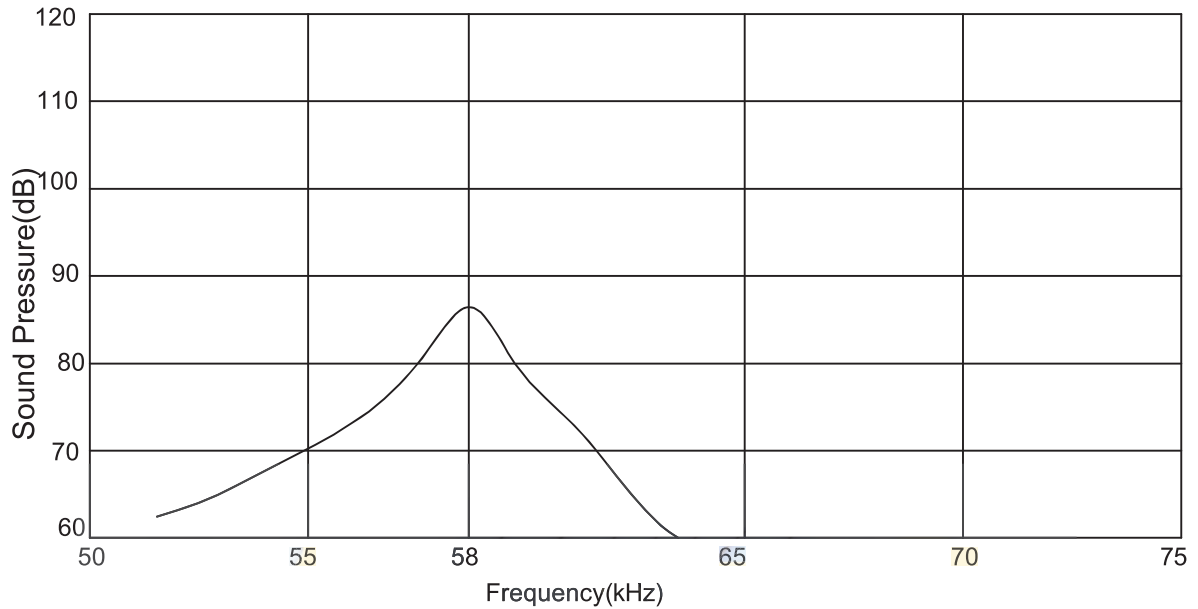
EIAJ code



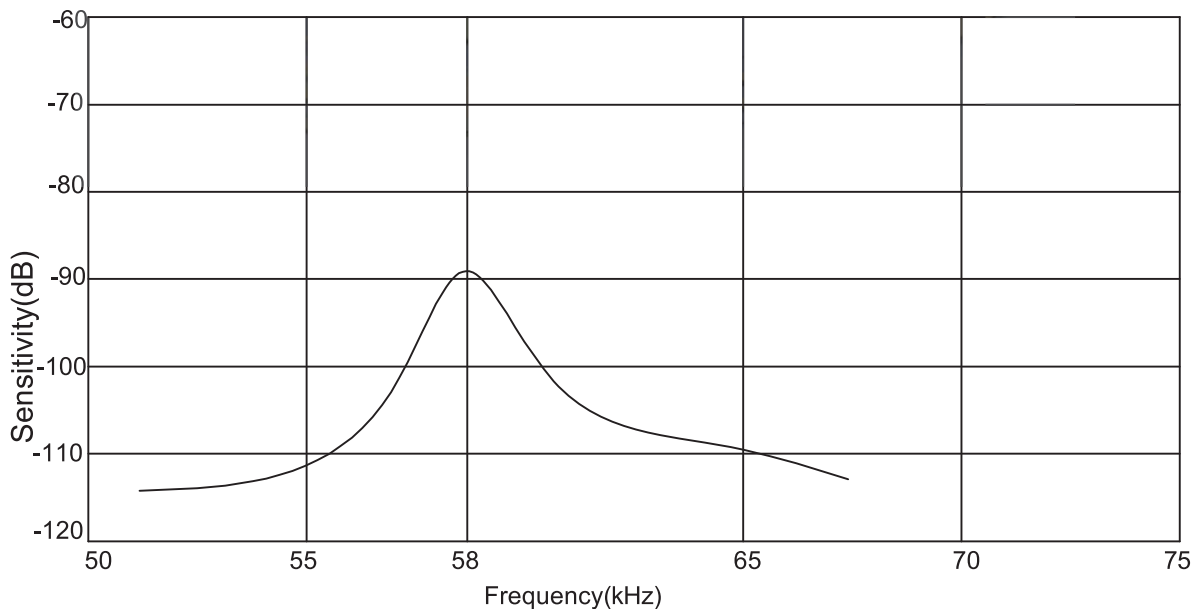
Dimensions : Millimetres



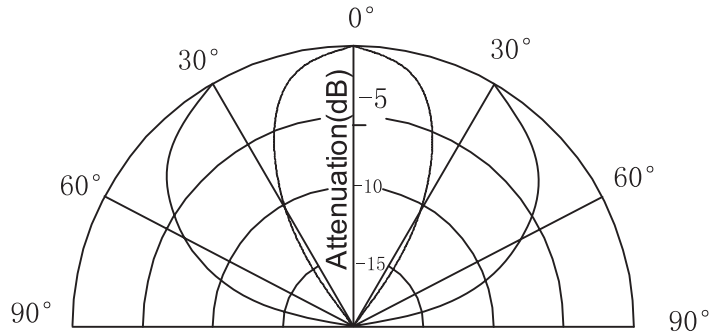
Beam Pattern:



SPL-Freq.Characteristics



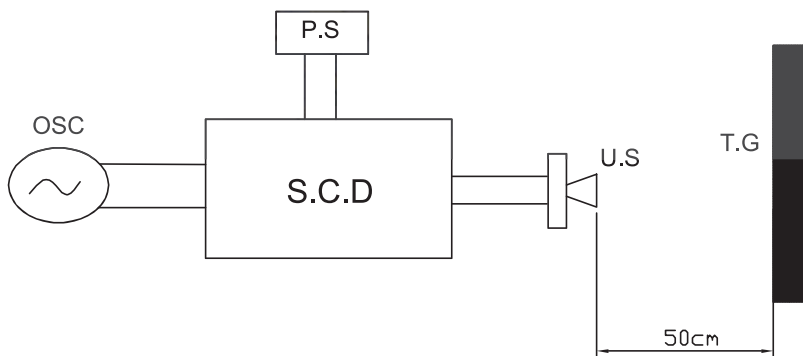
Sensitivity-Freq.Characteristics



Directivity in Overall Sensitivity

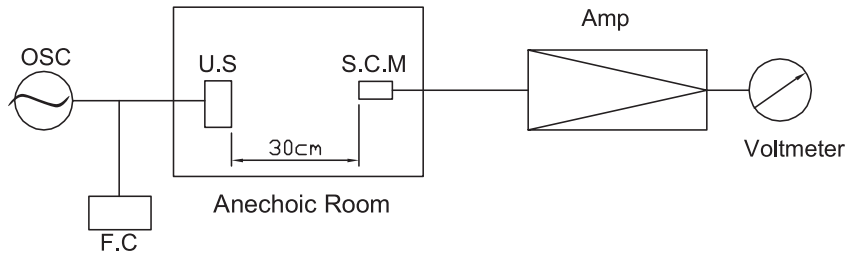
Test Circuit:

Echo&Rest.Resonant Time test circuit



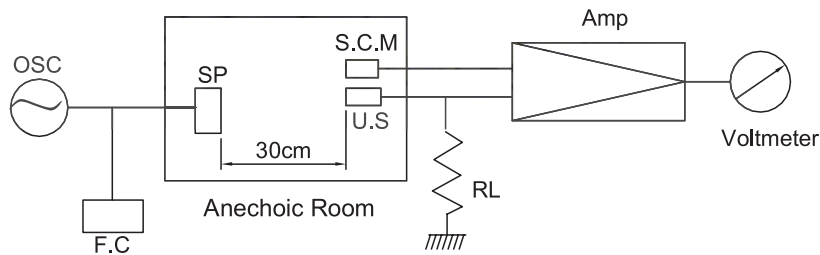
- OSC : Oscillator
- P.S : Power supply
- S.C.D : Special circuit diagram
- U.S : Ultrasonic Sensor
- T.G : Target

S.P.L test circuit



- OSC. : Oscillator
- F.C : Frequency Counter
- U.S : Ultrasonic Sensor
- S.C.M : Standard Capacitor Microphone
- Amp. : Amplifier

sensitivity test circuit



- OSC. : Oscillator
- F.C : Frequency Counter
- U.S : Ultrasonic Sensor
- S.C.M : Standard Capacitor Microphone
- Amp. : Amplifier
- SP : Tweeter
- RL : 3.9kΩ

Part Number Table

Description	Part Number
Transceiver, 58kHz, 14mm, Metal	MCUSD14A58S9RS-30C

Important Notice : This data sheet and its contents (the "Information") belong to the members of the AVNET group of companies (the "Group") or are licensed to it. No licence is granted for the use of it other than for information purposes in connection with the products to which it relates. No licence of any intellectual property rights is granted. The Information is subject to change without notice and replaces all data sheets previously supplied. The Information supplied is believed to be accurate but the Group assumes no responsibility for its accuracy or completeness, any error in or omission from it or for any use made of it. Users of this data sheet should check for themselves the Information and the suitability of the products for their purpose and not make any assumptions based on information included or omitted. Liability for loss or damage resulting from any reliance on the Information or use of it (including liability resulting from negligence or where the Group was aware of the possibility of such loss or damage arising) is excluded. This will not operate to limit or restrict the Group's liability for death or personal injury resulting from its negligence. Multicomp is the registered trademark of Premier Farnell Limited 2019.