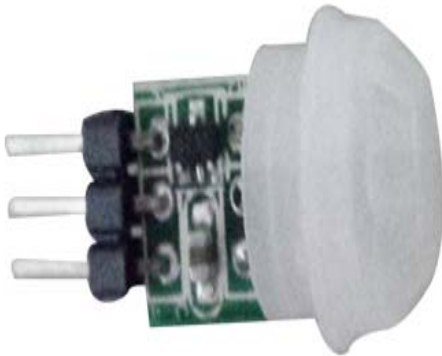


PIR Motion Detector Module



Item No.: SB312A

General

SB312A is the latest digital sensor module which developed for human body detection. A digital PIR sensor combined with a Fresnel lens is mounted on a compact size PCB, and resistance. IC is not needed any more. Digital output improve the performance.

Features and Electrical Specification

Compact size: 8*10 mm

Supply Voltage: DC3V~12V

Quiescent Current : $\leq 20\mu\text{A}$

Voltage Output: High level signal 3V; Standby output is 0V

High sensitivity

Delay time: 2.3S

Blockade time:2.3S

Trigger mode: Repeatable triggered

Operation Temperature: $-20^{\circ}\text{C}\sim+55^{\circ}\text{C}$

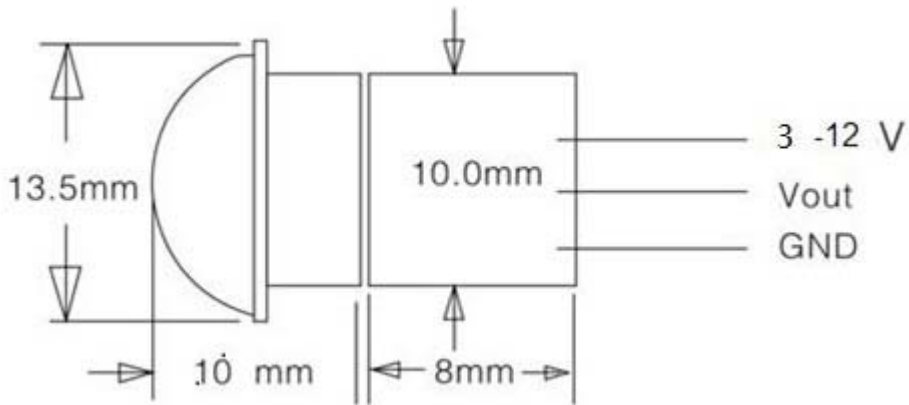
Infrared sensor: dual element, low noise, high sensitivity

Detecting length: 3~5m

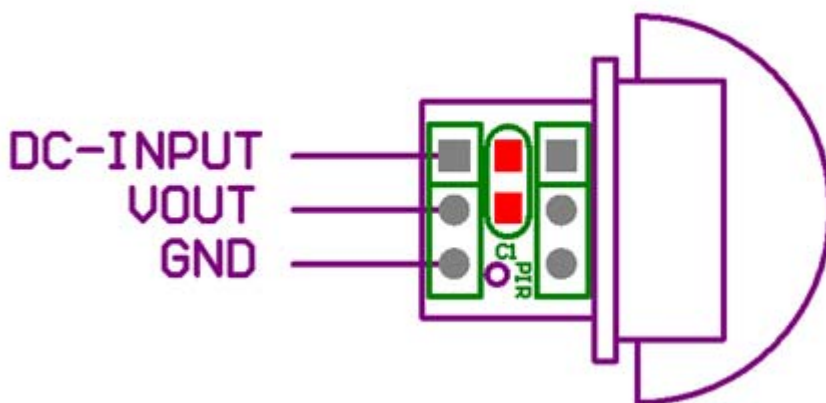
Detecting Angle: $\geq 100^{\circ}$

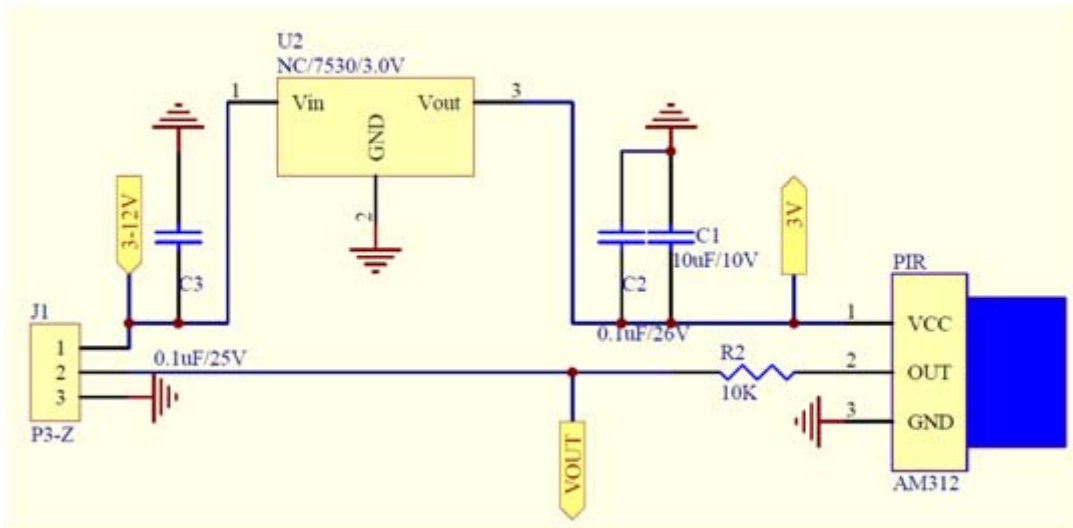
Lens information

Lens diameter: 13.5mm (default), detecting angle $\geq 100^\circ$, detecting range $< 5M$.



Schematic Diagram





Application Note

The SB312A module only output High/Low level.

Functions:

1. DC-INPUT: working voltage or input supply voltage (range is DC 3V~12V)
2. VOUT: signal output pin. Output: High level signal 3V; Standby 0V。

Parameter Setting

Input voltage and Quiescent current

According to the input voltage, the current of module $\leq 20\mu\text{A}$:

Note

Due to the high sensitivity of PIR sensor device, it is not recommended to use the module in the following or

similar condition.

A) in rapid environmental changes

B) in strong shock or vibration

C) in a place where there are obstructing material (eg. glass) through which IR cannot pass within detection area.

D) exposed to direct sun light

E) exposed to direct wind from a heater or air condition



NANYANG SENBA OPTICAL AND ELECTRONIC CO. LTD.

Add: 2nd Floor, #D Building, HuaWan Industrial Zone,
GuShu, XiXiang Street, Bao'an Dist., ShenZhen City,
GuangDong Province, China (518102)

Tel: +86-755-82591635

Fax: +86-755-82594762

Mobile: +86-13713635820

Skype: lemengzhi

Email: mon@nysenba.com

Website: <http://en.nysenba.com>